

HG ONE202BMW-3

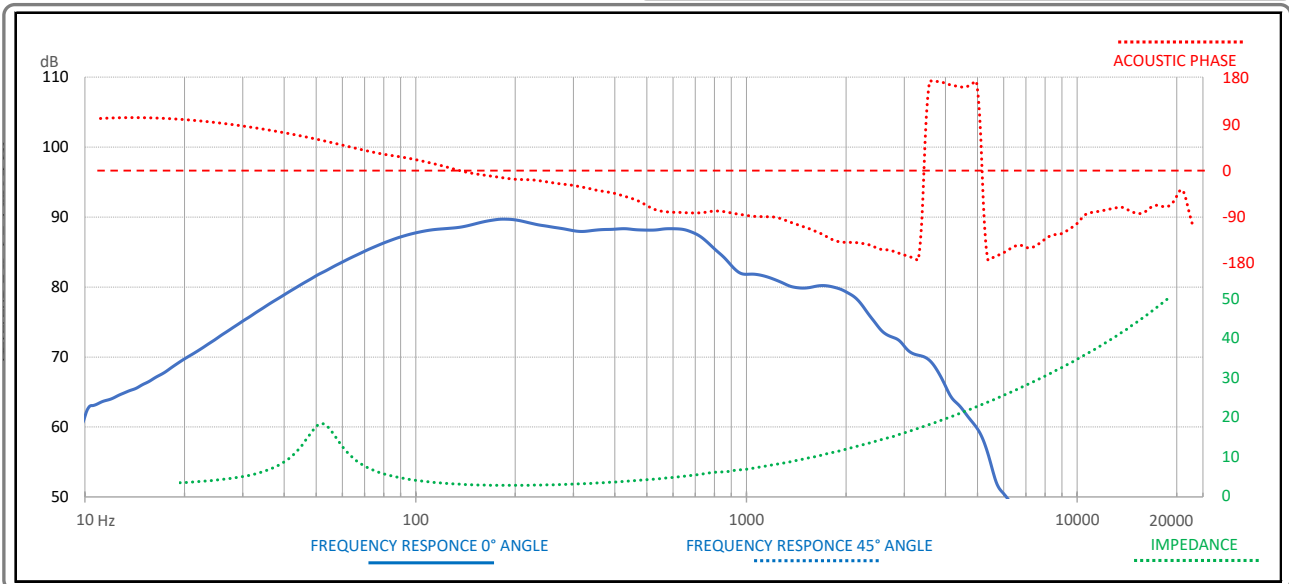
GLADEN[®]
GERMAN TECHNOLOGY

Loudspeaker data sheet

Specifications

Woofer

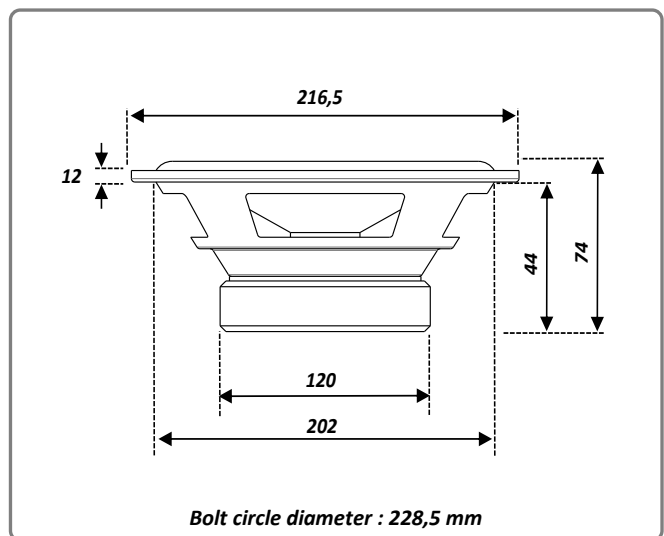
Impedance	3,0	Ω
Power handling	130/70	Watt/Wrms
Minimum amplifier power	20	Wrms
Recommended frequency area	40 - 200	Hz
SPL (2,83V/1m)	93,1	dB



Parameters

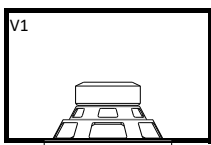
DC resistance	Rdc	2,5	Ω
Resonance frequency	fs	53,32	Hz
Mechanical quality	Qms	3,75	
Electrical quality	Qes	0,58	
Total quality	Qts	0,50	
Equivalent volume	VAS	15,81	Liter
Dynamically moving mass	Mms	36,2	g
Effective membrane area	Sd	213,8	cm ²
Mechanical resistance	Rms	3,23	Kg/s
Mechanical compliance	Cms	0,246	mm/N
Electromagnetic force	BL	7,2	Tm
Sensitivity (1W/1m)	SPL	88,1	dB
EBP		92	
Voice coil diameter	VCD	38	mm
Maximum linear excursion	Xmax +/-	6	mm
Weight net		0,75	kg

Dimensions

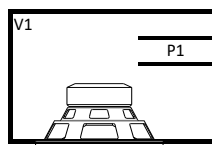


Housing suggestions

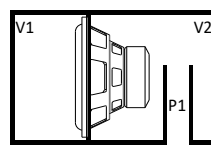
sealed



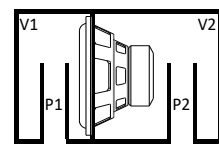
vented



bandpass (4th)



bandpass (6th)



Volume (V) in liters, dimensions port (P) in mm (diameter (D) and length (L))

All data without guarantee. Data can vary. Check data before assembly and operation.

GLADEN EUROPE GmbH - Bertha-Benz-Strasse 9 - 72141 Walldorfhäslach - CEO Alexandra Gladen - info@gladen.com